

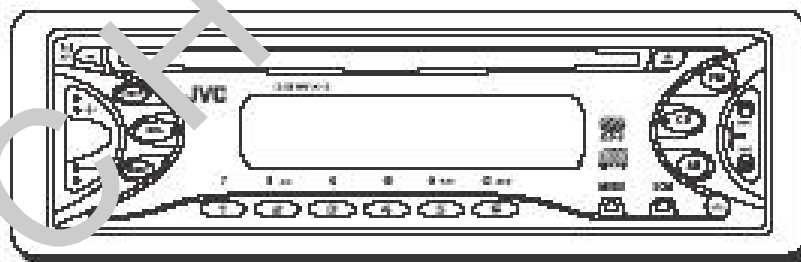
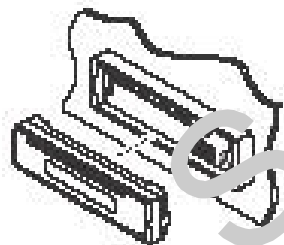
## CD RECEIVER

# KD-S73R / KD-S71R

CD-ROM No. SML20302

**Area Suffix**

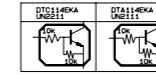
E ----- Continental Europe  
EX ----- Central Europe



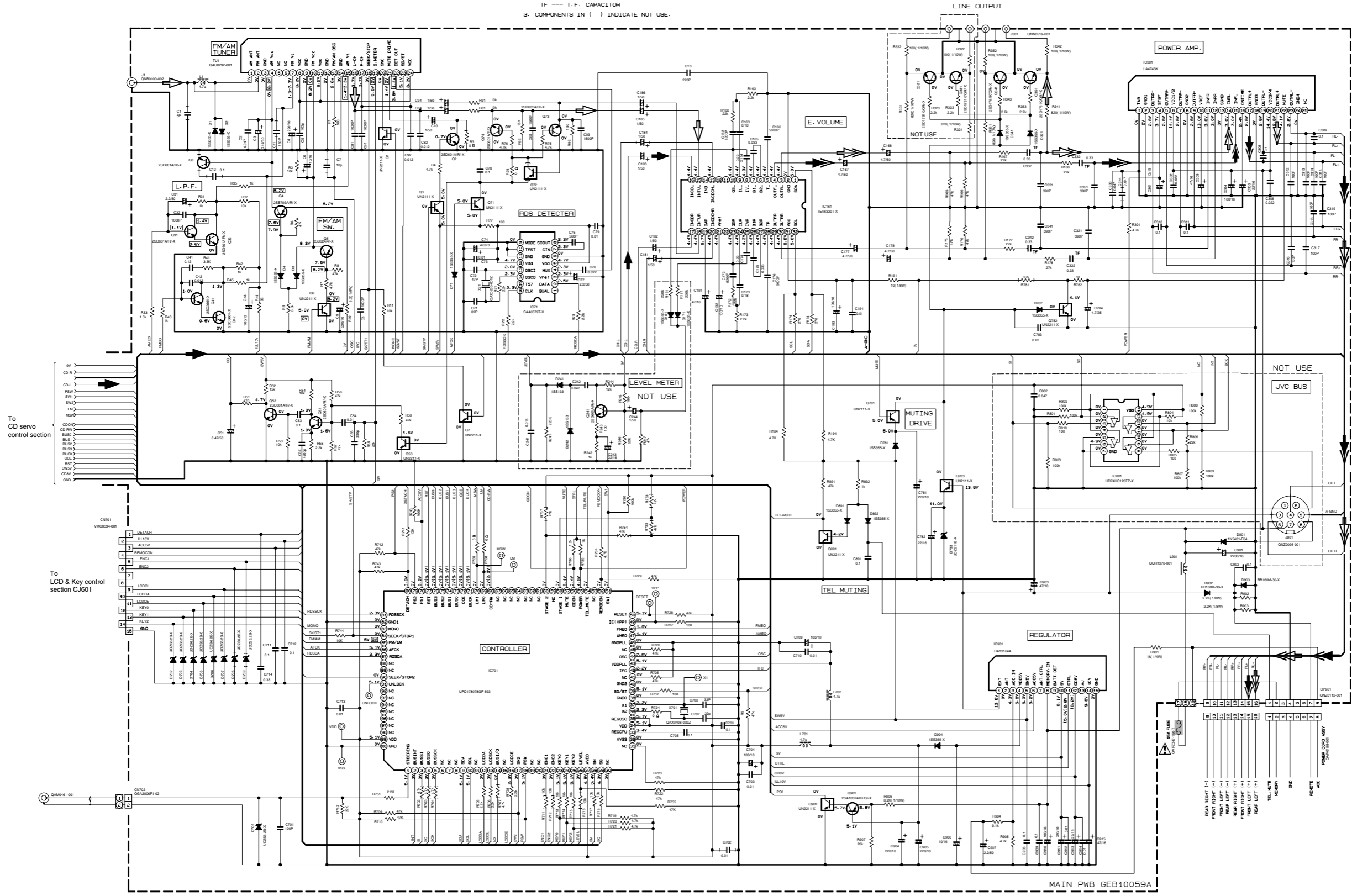
# Standard schematic diagrams

## Main amplifier section

- NOTES
- VOLTAGES ARE DC-MEASURED WITH A DIGITAL VOLT METER WITHOUT INPUT SIGNAL CONDITION—FM MODE. □ AM MODE. ( ) CD MODE.
  - UNLESS OTHERWISE SPECIFIED, ALL RESISTORS ARE 1/10W 5% METAL GLAZE RESISTOR. ALL CAPACITORS ARE 50V OR 25V CERAMIC CAPACITOR. ALL RESISTANCE VALUES ARE IN OHM. ALL CAPACITANCE VALUES ARE IN uF (P=pF). ALL E. CAPACITORS ARE SHOWN IN THE FORM OF CAPACITANCE(uF)/RATED VOLTAGE(V). TF — T. F. CAPACITOR.
  - COMPONENTS IN ( ) INDICATE NOT USE.



5  
4  
3  
2  
1



⚠ Parts are safety assurance parts. When replacing those parts make sure to use the specified one.

- ▶ Tuner signal
- ▶ CD signal
- ▶ Front signal
- ▶ Rear signal

A B C 2-2 D E F G H

■ CD servo control section

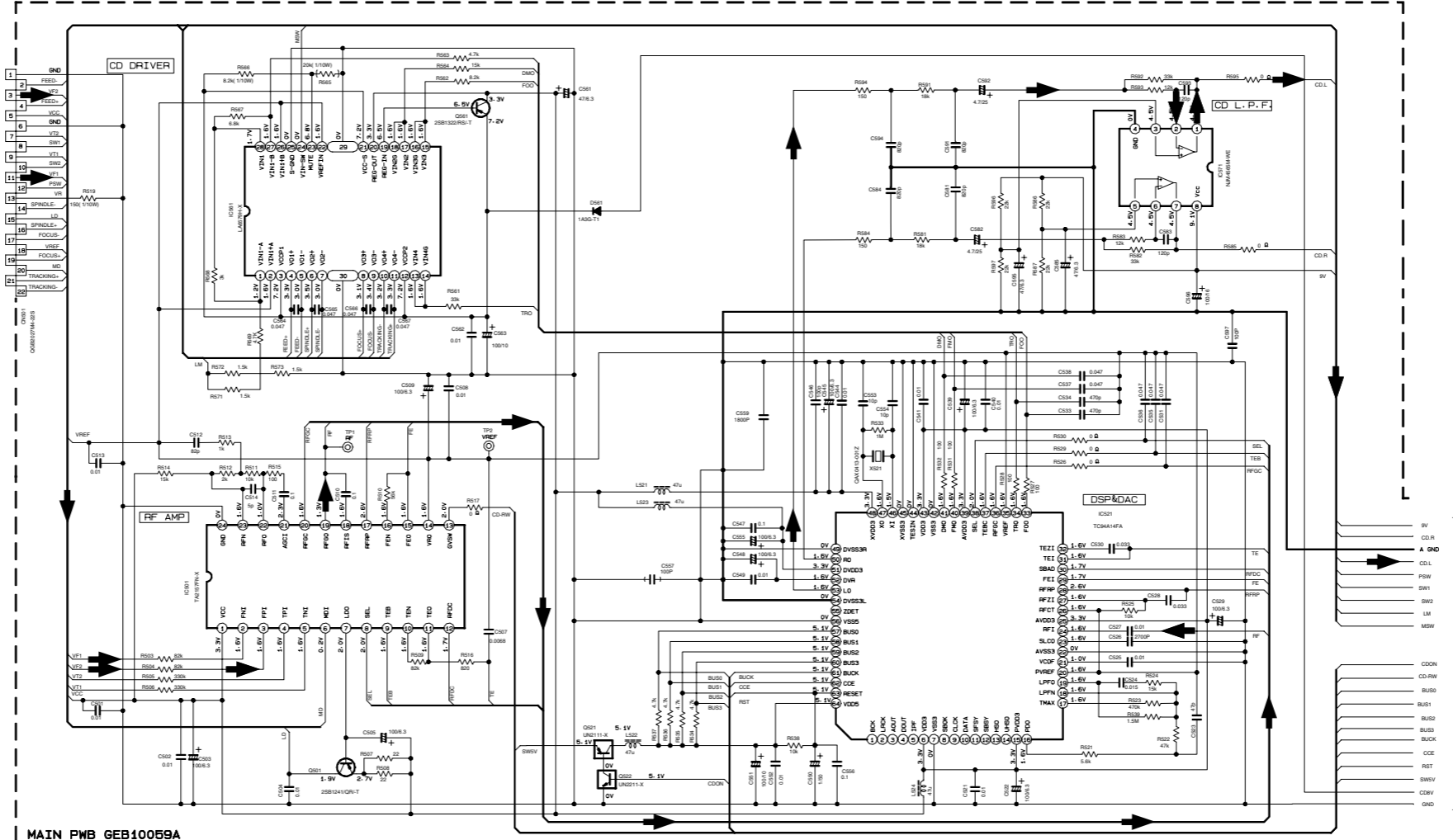
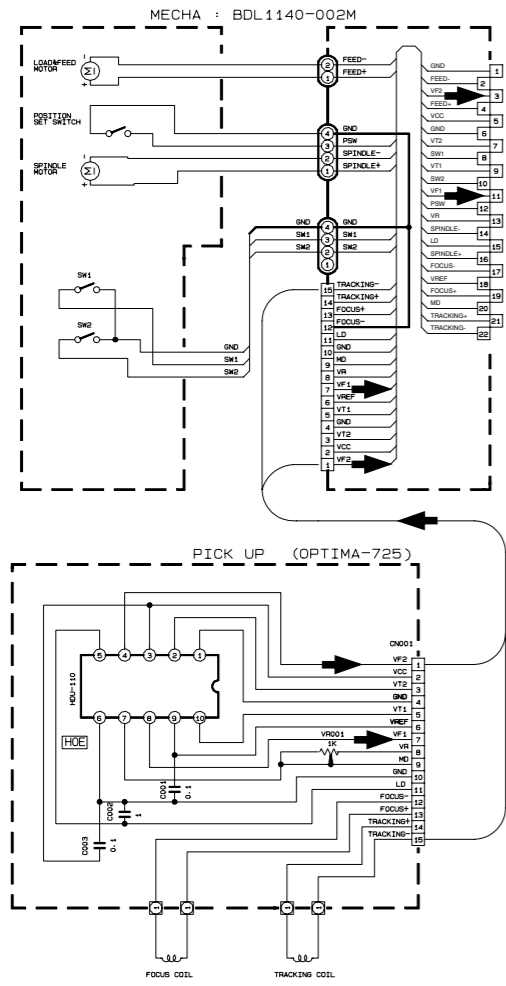
5

4

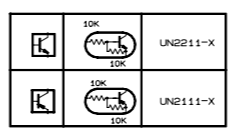
3

2

1



To Main amplifier section



NOTES

- VOLTAGES ARE DC-MEASURED WITH A DIGITAL VOLT METER WITHOUT INPUT SIGNAL CONDITION --- CD MODE.
- UNLESS OTHERWISE SPECIFIED:  
ALL RESISTORS ARE 1/10W 5% METAL GLAZE RESISTOR.  
ALL CAPACITORS ARE 50V OR 25V CERAMIC CAPACITOR.  
ALL RESISTANCE VALUES ARE IN OHM.  
ALL CAPACITANCE VALUES ARE IN uF(P=PF)  
ALL E-CAPACITORS ARE SHOWN IN THE FORM OF CAPACITANCE(uF)/RATED VOLTAGE(V)

➔ CD signal

■ LCD & Key control section

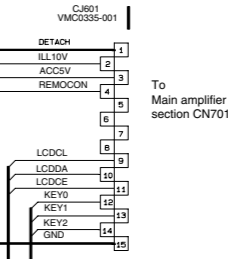
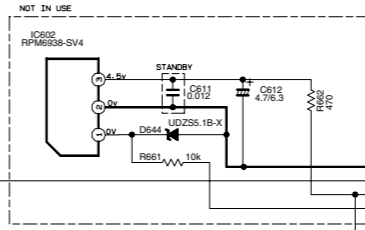
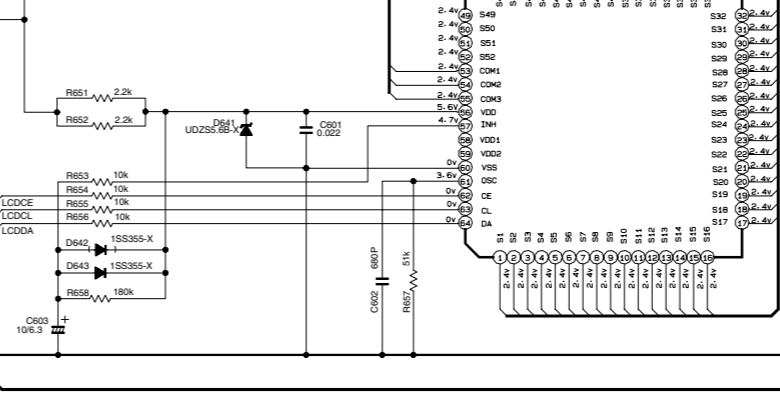
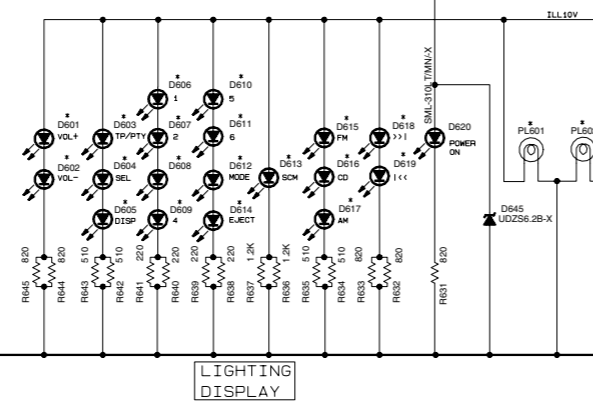
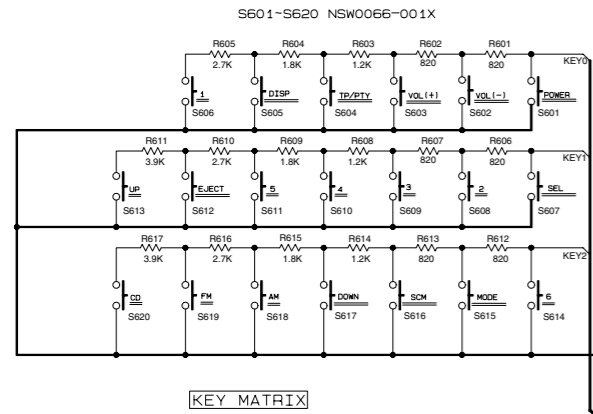
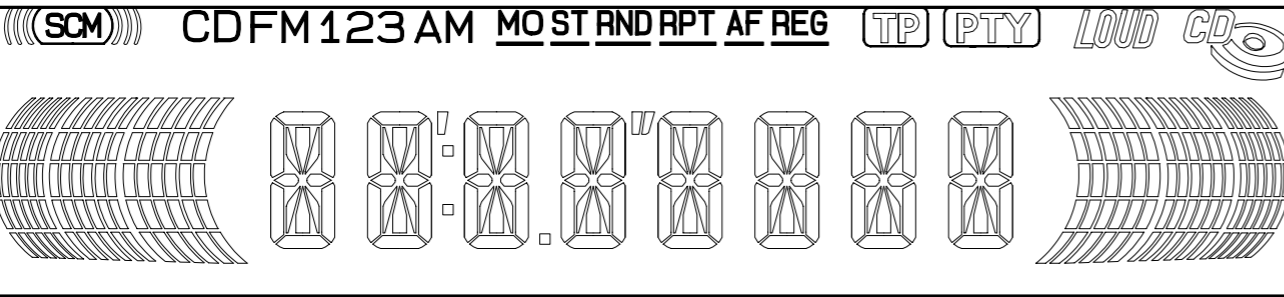
5

4

3

2

1



SWITCH PWB : GEB10080A

FRONT CIRCUIT BOARD SECTION

\* NOTES

1. VOLTAGES ARE DC-MEASURED WITH A DIGITAL VOLT METER WITHOUT INPUT SIGNAL.
2. UNLESS OTHERWISE SPECIFIED ALL RESISTOR ARE 1/16W ±5% METAL GLAZE RESISTOR. ALL CAPACITORS ARE 50V OR 25V CERAMIC CAPACITOR. ALL RESISTANCE VALUES ARE IN OHM. ALL CAPACITANCE VALUES ARE IN μF(±5%). ALL CAPACITORS ARE IN THE FORM OF CAPACITANCE (μF)/RATED VOLTAGE(V).
3. DIFFERENCE TABLE

	KD-S71R SERIES	KD-S73R SERIES
D601-D619	LNJ308GBB1/1-3/X	SML-310DT/KL/-X
PL601-PL602	QLL0056-001	QLL0075-001

A

B

C

24

D

E

F

G

H